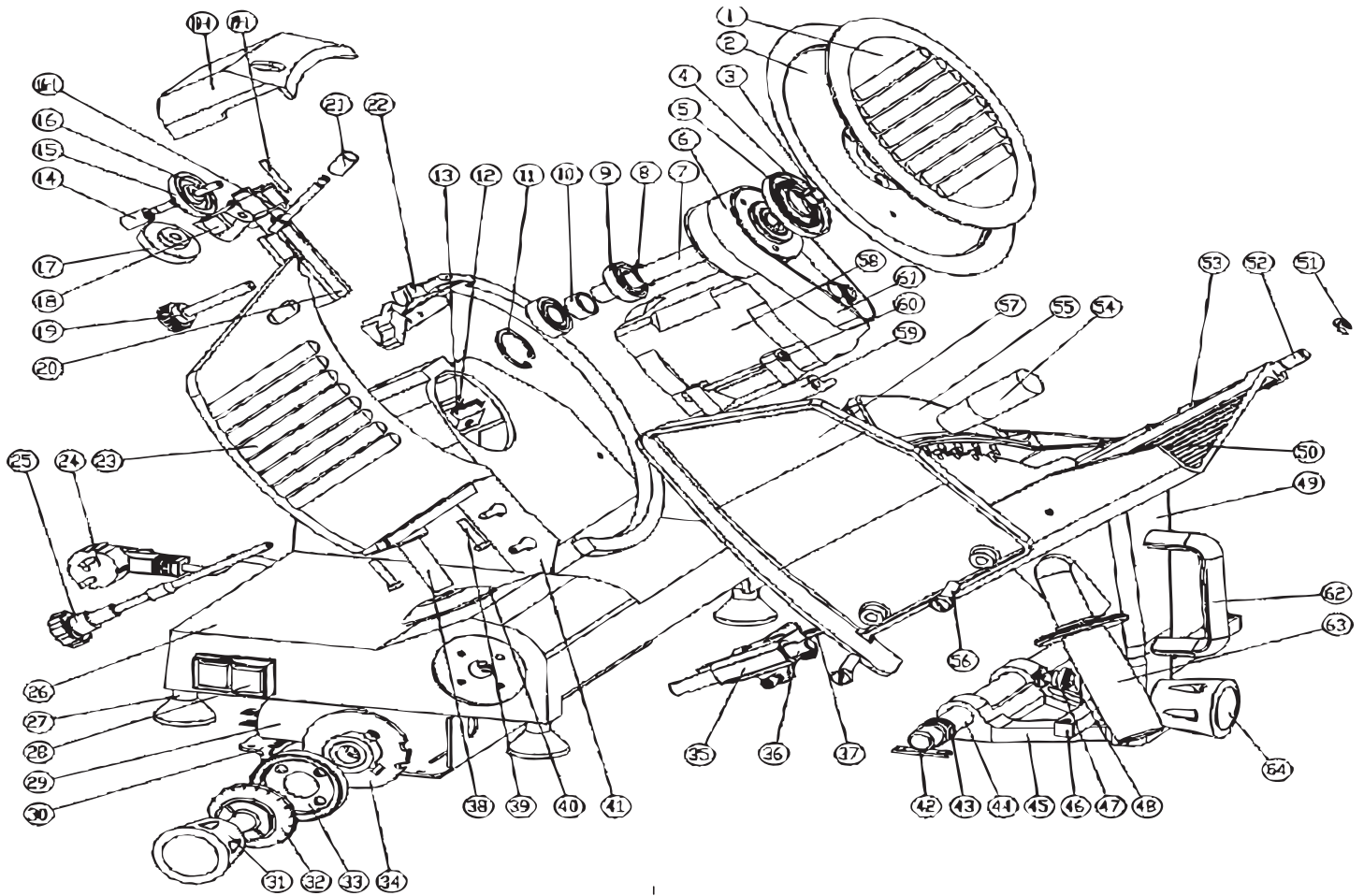


# Parts Breakdown

Model MS-CN-0220-C 41710



# Parts Breakdown

## Model MS-CN-0220-C 41710

| Item No. | Description                              | Position | Item No. | Description                           | Position | Item No. | Description                             | Position |
|----------|--|----------|----------|---------------------------------------|----------|----------|---|----------|
| 20564    | Protection Plate for 41710               | 1        | 20609    | Sharpening Controller for 41710       | 21       | 20581    | Spring for 41710                        | 43       |
| 20563    | Knife for 41710                          | 2        | 20614    | Protection Circle for 41710           | 22       | 20580    | Circle Orbit for 41710                  | 44       |
| 20562    | Screw for 41710                          | 3        | 20601    | Locking Plate for 41710               | 23       | 20579    | Sliding Core for 41710                  | 45       |
| AD406    | Sealing Ring for Blade Shaft for 41710   | 4        | 20606    | Wire for 41710                        | 24       | 20575    | Square Orbit for 41710                  | 46       |
| AD407    | Sealing Ring for Blade Spindle for 41710 | 5        | 20602    | Pull Pole for 41710                   | 25       | 20578    | Bearing of Spindle for 41710            | 47       |
| 20561    | Sleeve of Knife for 41710                | 6        | 20600    | Body for 41710                        | 26       | 20577    | Spindle for 41710                       | 48       |
| 20560    | Spindle of Knife for 41710               | 7        | 20599    | Foot for 41710                        | 27       | 20574    | Sliding Stand for 41710                 | 49       |
| 20555    | Blocking Ring for 41710                  | 8        | 27549    | On/Off Switch 5 Pins 120VAC for 41710 | 28       | 20571    | Carriage for 41710                      | 50       |
| 20556    | Bearing for 41710                        | 9        | 20596    | Capacitor for 41710                   | 29       | AD410    | Circlip for 41710                       | 51       |
| 20557    | Isolating Sleeve for 41710               | 10       | 20597    | Bottom Plate for 41710                | 30       | 20569    | Sliding Pole for 41710                  | 52       |
| AD408    | Blocking Ring for Hole for 41710         | 11       | 20590    | Adjusting Handle Bar for 41710        | 31       | AD411    | Bearing for Pole of Carriage for 41710  | 53       |
| 20616    | Microswitch for 41710                    | 12       | 20591    | Digital Plate for 41710               | 32       | 20572    | Hand Bar of Pressing for 41710          | 54       |
| AD409    | Bracket for Microswitch for 41710        | 13       | 20592    | Digital Ring for 41710                | 33       | 20570    | Pressing for 41710                      | 55       |
| 20609    | Sharpening Controller for 41710          | 14       | 20588    | Cams for 41710                        | 34       | 20583    | Screw for Plastic Board for 41710       | 56       |
| 20610    | Sharpening Wheel for 41710               | 15       | 20586    | Sliding Holder for 41710              | 35       | 20573    | Plastic Protection with Screw for 41710 | 57       |
| 20607    | Spindle of Wheel for 41710               | 16       | 20584    | Spindle for 41710                     | 36       | 20566    | Motor for 41710                         | 58       |
| 20612    | Spindle of Wheel for 41710               | 16-1     | 20585    | Bolt for 41710                        | 37       | 20568    | Board of Motor for 41710                | 59       |
| 20613    | Sharpening Wheel for 41710               | 17       | 20595    | Stand of Locking Plate for 41710      | 38       | 20567    | Hinge Spindle for 41710                 | 60       |
| 20611    | Stand of Wheel for 41710                 | 18       | 20594    | Screw for 41710                       | 39       | 20565    | Belt 288mm x 22mm PU Material for 41710 | 61       |
| 20608    | Cover of Wheel for 41710                 | 18-1     | 20593    | Waterproof Gasket for 41710           | 40       | 66036    | Carriage Handle for 41710               | 63       |
| 20605    | Screw for 41710                          | 19       | 20603    | Scraping Board for 41710              | 41       | 20514    | Holder Handlebar for 41710              | 64       |
| 20604    | Stand of Sharpener for 41710             | 20       | 20582    | Screw for 41710                       | 42       | 42179    | Complete Sharpening Assy. for 41710     |          |